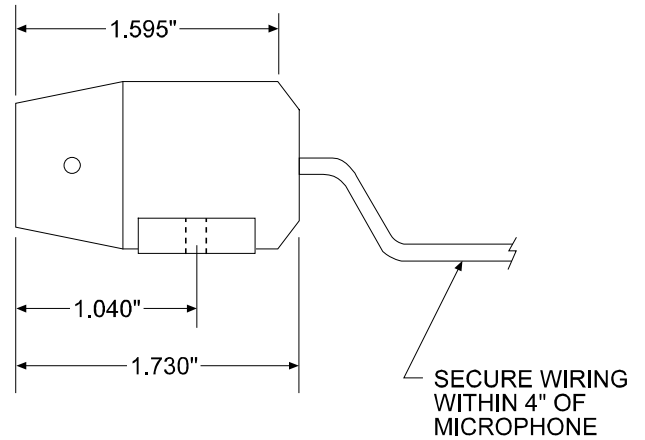
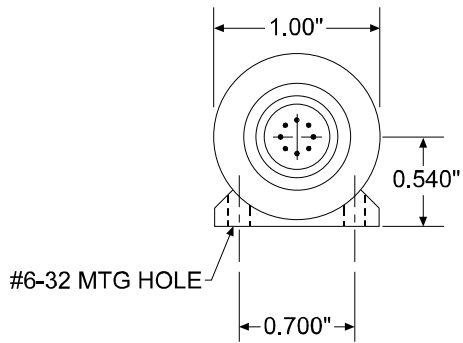
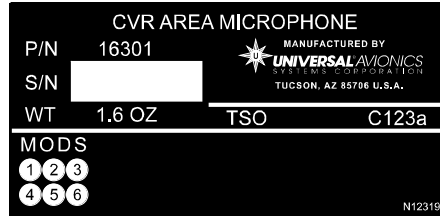
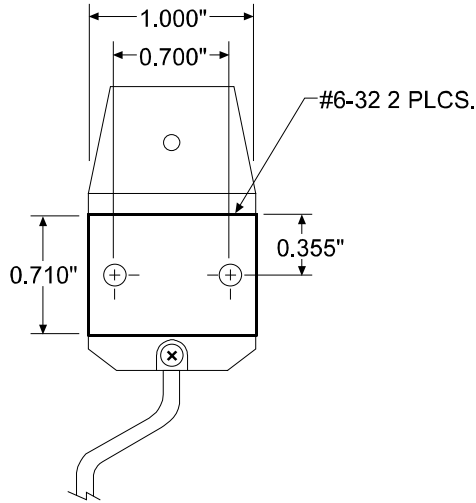


CVR-30B and CVR-120 Installation Manual

K. Area Microphone (P/N 16301)



[Return to Table of Contents](#)